

Cryogenic Liquid Level Gauges

Level Gauges With and Without Switches for Tank Level Applications

Gauge Key Features

- 500 PSIG Working Pressure
- Brass Body, SS Metal Internals, Viton® Seals
- Dual Top and Bottom Connections 1/4" FNPT Connections
- +/- 1% Full Scale Accuracy
- 6" Round Dial with Black Background and White Numbers and Lettering

Proof Pressure

Two times working pressure at ambient temperatures

Temperature Limits

-40°F (-40°C) to 200°F (93°F)

Standards

ASME B1.20.1
ASME B40.100
CSA-C22.2 No. 14
UL Std. No. 50
NEMA Std. No. 250
SAE J514



* Picture shown with Switch

Cryo Liquid Level Indicator Gauge – Oxygen Cleaned 1/4" Female Connection

Cryo Liquid Level Indicator Gauge 1/4" Female Connection

RMI Part #	Description
CLIG14B-6D0-60H2O	1/4" F Con 0-60" H2O
CLIG14B-6D0-100H2O	1/4" F Con 0-100" H2O
CLIG14B-6D0-150H2O	1/4" F Con 0-150" H2O
CLIG14B-6D0-200H2O	1/4" F Con 0-200" H2O
CLIG14B-6D0-300H2O	1/4" F Con 0-300" H2O
CLIG14B-6D0-400H2O	1/4" F Con 0-400" H2O
CLIG14B-6D0-500H2O	1/4" F Con 0-500" H2O

RMI Part #	Description
CLIG14B-6D0-60H2O-OX	1/4" F Con 0-60" H2O O2 clean
CLIG14B-6D0-100H2O-OX	1/4" F Con 0-100" H2O O2 clean
CLIG14B-6D0-150H2O-OX	1/4" F Con 0-150" H2O O2 clean
CLIG14B-6D0-200H2O-OX	1/4" F Con 0-200" H2O O2 clean
CLIG14B-6D0-300H2O-OX	1/4" F Con 0-300" H2O O2 clean
CLIG14B-6D0-400H2O-OX	1/4" F Con 0-400" H2O O2 clean
CLIG14B-6D0-500H2O-OX	1/4" F Con 0-500" H2O O2 clean

WARNING: Products in this catalog can expose you to chemicals including lead which is known to the State of California to cause cancer, birth defects or reproductive harm. For more information, go to <https://www.p65warnings.ca.gov>

Switch Flags Can Be Precisely Adjusted to Switch Set Point for Highly Visible Alarm Indications

Micro-Switch Specification Electrical 0-80" H2O and above

- Input Voltage: None Required
- Set Pointers:
Quantity – 1
Adjustment – 3% to 100% of Full Scale
With visual set point set on decreasing pressure
- Contact(s): 1 SPDT
Contact Rating –
4 Amps Maximum @ 30 VDC
3 Amps Maximum @ 240 VAC
5 Amps @ 120 VAC
- Temperature:
Operating – -20°F to +185°F
- Environment:
Standard – Weather-Proof Housing NEMA 4
- Electrical Interface:
Standard – 18", 18 Awg., 600 V 105C
Color Coded Wire Leads 1/2" FNPT
- Gauge Accuracy:
2% – Including Effects of the switch
- Switch Repeatability:
2% Maximum

Cryo Liquid Level Indicator Gauge with 1 Micro Switch 1/4" Female Connection

RMI Part #	Description
CLIG14B-6D0-80H2O-1MSW	w/1Micro Switch 1/4" F Con 0-80" H2O
CLIG14B-6D0-100H2O-1MSW	w/1Micro Switch 1/4" F Con 0-100" H2O
CLIG14B-6D0-150H2O-1MSW	w/1Micro Switch 1/4" F Con 0-150" H2O
CLIG14B-6D0-200H2O-1MSW	w/1Micro Switch 1/4" F Con 0-200" H2O
CLIG14B-6D0-300H2O-1MSW	w/1Micro Switch 1/4" F Con 0-300" H2O
CLIG14B-6D0-400H2O-1MSW	w/1Micro Switch 1/4" F Con 0-400" H2O
CLIG14B-6D0-500H2O-1MSW	w/1Micro Switch 1/4" F Con 0-500" H2O

Cryo Liquid Level Indicator Gauge with 1 Micro Switch – Oxygen Cleaned 1/4" Female Connection

RMI Part #	Description
CLIG14B-6D0-80H2O-1MSW-OX	w/1Micro Switch 1/4" F Con 0-80" H2O O2 clean
CLIG14B-6D0-100H2O-1MSW-OX	w/1Micro Switch 1/4" F Con 0-100" H2O O2 clean
CLIG14B-6D0-150H2O-1MSW-OX	w/1Micro Switch 1/4" F Con 0-150" H2O O2 clean
CLIG14B-6D0-200H2O-1MSW-OX	w/1Micro Switch 1/4" F Con 0-200" H2O O2 clean
CLIG14B-6D0-300H2O-1MSW-OX	w/1Micro Switch 1/4" F Con 0-300" H2O O2 clean
CLIG14B-6D0-400H2O-1MSW-OX	w/1Micro Switch 1/4" F Con 0-400" H2O O2 clean
CLIG14B-6D0-500H2O-1MSW-OX	w/1Micro Switch 1/4" F Con 0-500" H2O O2 clean

WARNING: Products in this catalog can expose you to chemicals including lead which is known to the State of California to cause cancer, birth defects or reproductive harm. For more information, go to <https://www.p65warnings.ca.gov>

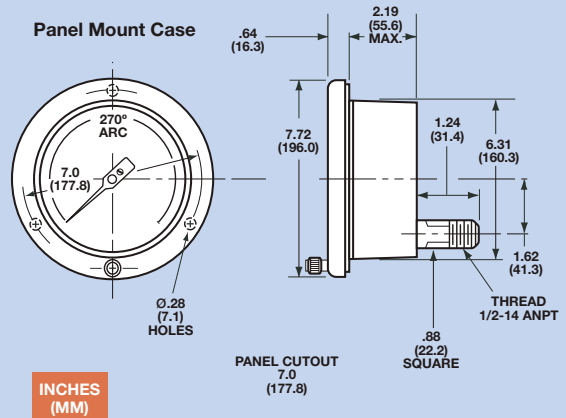
See our Complete Line of Herose
Globe Valves (37B),
Herose Gate Valves (37C)
and Herose Safety Relief Valves (37F).

Solfrunt® 6" Process Gauges

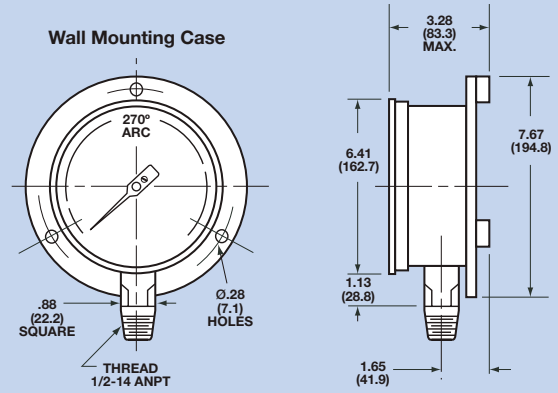
Cryogenic Process Gauges

DESCRIPTION

6" SOLFRUNT gauges are used where the distance between operator and gauge requires expanded dial graduations for increased readability. Panel or stem mounted, these gauges offer the same rugged construction, accuracy and calibration features as the 4-1/2" series.



INCHES
(MM)



SPECIFICATIONS

SIZE: 6"

CASE AND RING:

For Stem or Wall Mounting:

CAST ALUMINUM, BACK FLANGED CASE with threaded ring, black finish, and BUNA-N® pressure-relieving back (Model 1901, 1931)

For Panel Mounting:

CAST ALUMINUM, FRONT FLANGED CASE with steel hinged ring with black finish and BUNA-N pressure-relieving back (Model 1903)

WINDOW: Acrylic

POINTER: Aluminum, micrometer adjustable with black finish

DIAL: Aluminum, white background and black markings

MOVEMENT: Geared ARC-LOC® with components of corrosion resistant 300 series stainless steel. Movement can be removed for examination and cleaning without disturbing span and scale shape adjustments

BOURDON TUBE: Phosphor bronze/silver brazed; 316L stainless steel/heli-arc welded

CONNECTION: Brass, alloy steel, or 316L stainless steel, 1/2-14 ANPT standard (1/4-18 ANPT optional).

RANGES: 30" Hg VAC 0-15, 30, 60, 100, 160, 200, 300, 400, 600, 1000, 1500, 2300, 3500, 6000.

ACCURACY: ±0.5% of span (Grade 2A)

MOUNTING AVAILABLE

LM – Lower Mount and **LBM** – Lower Back Mount

Process Gauges Model Selection Chart

Model #	Mounting	Case	Ring	Bourdon Tube	Socket	Connection
PG-S6LMPB	Stem/Wall	Aluminum Back Flanged	Threaded Aluminum	Phosphor Bronze	Brass	1/2-14 ANPT LM
PG-S6LMSS	Stem/Wall	Aluminum Back Flanged	Threaded Aluminum	316L Stainless Steel	316L SS	1/2-14 ANPT LM
PG-S6BMPB	Flush Panel	Aluminum Front Flanged	Hinged Steel	Phosphor Bronze	Brass	1/2-14 ANPT LBM

* 1/4-18 ANPT optional

WARNING: Products in this catalog can expose you to chemicals including lead which is known to the State of California to cause cancer, birth defects or reproductive harm. For more information, go to <https://www.p65warnings.ca.gov>

Solfrunt® 6" Process Gauges INERT GAS SERVICE

Cryogenic Process Gauges

SOLFRUNT®	Wall Mount Bottom Thread	Wall Mount Bottom Thread	Panel Mount Back Thread
Model Number	PG-S6LMPB	PG-S6LMSS	PG-S6BMPB
Bourdon Tube	Phosphor Bronze	316L Stainless Steel	Phosphor Bronze
Socket	Brass	316L Stainless Steel	Brass
Size	6"	6"	6"
Range	Part No.	Part No.	Part No.
30"-0-15 psi	PG-S6LMPB12-30IN0-15	PG-S6LMSS12-30IN0-15	PG-S6BMPB12-30IN0-15
0-15 psi	PG-S6LMPB12-0-15	PG-S6LMSS12-0-15	PG-S6BMPB12-0-15
0-30 psi	PG-S6LMPB12-0-30	PG-S6LMSS12-0-30	PG-S6BMPB12-0-30
0-60 psi	PG-S6LMPB12-0-60	PG-S6LMSS12-0-60	PG-S6BMPB12-0-60
0-100 psi	PG-S6LMPB12-0-100	PG-S6LMSS12-0-100	PG-S6BMPB12-0-100
0-160 psi	PG-S6LMPB12-0-160	PG-S6LMSS12-0-160	PG-S6BMPB12-0-160
0-200 psi	PG-S6LMPB12-0-200	PG-S6LMSS12-0-200	PG-S6BMPB12-0-200
0-300 psi	PG-S6LMPB12-0-300	PG-S6LMSS12-0-300	PG-S6BMPB12-0-300
0-400 psi	PG-S6LMPB12-0-400	-	PG-S6BMPB12-0-400
0-600 psi	PG-S6LMPB12-0-600	PG-S6LMSS12-0-600	PG-S6BMPB12-0-600
0-1000 psi	PG-S6LMPB12-0-1000	PG-S6LMSS12-0-1000	PG-S6BMPB12-0-1000
0-1500 psi	-	PG-S6LMSS12-0-1500	-
0-2300 psi	-	PG-S6LMSS12-0-2300	-
0-3500 psi	-	PG-S6LMSS12-0-3500	-
0-6000 psi	-	PG-S6LMSS12-0-6000	-



1/4-18 ANPT available –
Replace the "12" after the model number in the part number with "14"

Solfrunt® 6" Process Gauges CLEANED FOR OXYGEN SERVICE

SOLFRUNT® Oxygen Cleaned	Wall Mount Bottom Thread	Wall Mount Bottom Thread	Panel Mount Back Thread
Model Number	PG-S6LMPB	PG-S6LMSS	PG-S6BMPB
Bourdon Tube	Phosphor Bronze	316L Stainless Steel	Phosphor Bronze
Socket	Brass	316L Stainless Steel	Brass
Size	6"	6"	6"
Range	Part No.	Part No.	Part No.
30"-0-15 psi	PG-S6LMPB12-30IN0-15-OX	PG-S6LMSS12-30IN0-15-OX	PG-S6BMPB12-30IN0-15-OX
0-15 psi	PG-S6LMPB12-0-15-OX	PG-S6LMSS12-0-15-OX	PG-S6BMPB12-0-15-OX
0-30 psi	PG-S6LMPB12-0-30-OX	PG-S6LMSS12-0-30-OX	PG-S6BMPB12-0-30-OX
0-60 psi	PG-S6LMPB12-0-60-OX	PG-S6LMSS12-0-60-OX	PG-S6BMPB12-0-60-OX
0-100 psi	PG-S6LMPB12-0-100-OX	PG-S6LMSS12-0-100-OX	PG-S6BMPB12-0-100-OX
0-160 psi	PG-S6LMPB12-0-160-OX	PG-S6LMSS12-0-160-OX	PG-S6BMPB12-0-160-OX
0-200 psi	PG-S6LMPB12-0-200-OX	PG-S6LMSS12-0-200-OX	PG-S6BMPB12-0-200-OX
0-300 psi	PG-S6LMPB12-0-300-OX	PG-S6LMSS12-0-300-OX	PG-S6BMPB12-0-300-OX
0-400 psi	PG-S6LMPB12-0-400-OX	-	PG-S6BMPB12-0-400-OX
0-600 psi	PG-S6LMPB12-0-600-OX	PG-S6LMSS12-0-600-OX	PG-S6BMPB12-0-600-OX
0-1000 psi	PG-S6LMPB12-0-1000-OX	PG-S6LMSS12-0-1000-OX	PG-S6BMPB12-0-1000-OX
0-1500 psi	-	PG-S6LMSS12-0-1500-OX	-
0-2300 psi	-	PG-S6LMSS12-0-2300-OX	-
0-3500 psi	-	PG-S6LMSS12-0-3500-OX	-
0-6000 psi	-	PG-S6LMSS12-0-6000-OX	-

1/4-18 ANPT available –
Replace the "12" after the model number in the part number with "14"



WARNING: Products in this catalog can expose you to chemicals including lead which is known to the State of California to cause cancer, birth defects or reproductive harm. For more information, go to <https://www.p65warnings.ca.gov>

High Pressure Stainless Steel | Brass Dual & Single Scale Gauges

Stainless Steel Gauges

These stainless steel gauges with their rugged construction provide resistance to the most corrosive media and environments. The gauges feature 316 stainless steel wetted parts and 304 stainless steel case and crimped ring, and can be liquid-filled in the field.

- Stainless Steel Wetted Parts
- Stainless Steel Case & Crimp Ring
- Field Liquid-Fillable
- Welded Connection on 2 1/2" Size
- Cleaned for Oxygen Service

Certified Gauges Available, Call for Details



Type:
Dry, Liquid-fillable
Size: 2 1/2"
Connection:
Lower Mount
Connection Size:
1/4 NPT

Standard Ranges and Part Numbers

Press. Scale / PSI	Part #	Description
30"-0-30 psi	PG-SS3030	Gauge Stainless Steel – Lower Mount – 30"-0-30 psi
30"-0-60 psi	PG-SS3060	Gauge Stainless Steel – Lower Mount – 30"-0-60 psi
15 psi	PG-SS15	Gauge Stainless Steel – Lower Mount – 15 psi
30 psi	PG-SS30	Gauge Stainless Steel – Lower Mount – 30 psi
60 psi	PG-SS60	Gauge Stainless Steel – Lower Mount – 60 psi
100 psi	PG-SS100	Gauge Stainless Steel – Lower Mount – 100 psi
200 psi	PG-SS200	Gauge Stainless Steel – Lower Mount – 200 psi
400 psi	PG-SS400	Gauge Stainless Steel – Lower Mount – 400 psi
600 psi	PG-SS600	Gauge Stainless Steel – Lower Mount – 600 psi
1000 psi	PG-SS1000	Gauge Stainless Steel – Lower Mount – 1000 psi
2000 psi	PG-SS2000	Gauge Stainless Steel – Lower Mount – 2000 psi
3000 psi	PG-SS3000	Gauge Stainless Steel – Lower Mount – 3000 psi
5000 psi	PG-SS5000	Gauge Stainless Steel – Lower Mount – 5000 psi
10000 psi	PG-SS10000	Gauge Stainless Steel – Lower Mount – 10000 psi

Standard Features

Size 2 1/2" (63 mm)
4" (100 mm)
Wetted Parts Case 316 stainless steel
304 stainless steel
Crimped Ring Window 304 stainless steel
Polycarbonate
Acrylic (4")
Dial Pointer White aluminum
Black aluminum
O-ring EPDM (4" only)
Accuracy – 1.5% of span
= 1.0% of span (4")
(ASNE B40.1 Grade 1A)

Welded connection (case / socket) standard on 2 1/2" sizes. 4" sizes feature an EPDM o-ring seal.

Brass – Dual Scale Gauges

These Gauges have a Brass Case and are 1/4" Male NPT with lower mount, dual scale.



Part # PG-LM400



Part # PG-LM40025

2" Diameter Dual Scale Gauge

Part #	PSI Range
PG-LM30R	0-30 PSI with Red Line
PG-LM100	0-100 PSI
PG-LM200	0-200 PSI
PG-LM400	0-400 PSI
PG-LM600	0-600 PSI
PG-LM3000	0-3000 PSI
PG-LM4000	0-4000 PSI

2 1/2" Diameter Dual Scale Gauge

Part #	PSI Range
PG-LM3025R	0-30 PSI with Red Line
PG-LM10025	0-100 PSI
PG-LM20025	0-200 PSI
PG-LM40025	0-400 PSI
PG-LM60025	0-600 PSI
PG-LM300025	0-3000 PSI
PG-LM400025	0-4000 PSI
PG-LM600025	0-6000 PSI

Brass – Single Scale Gauges

These Gauges have a Brass Case and are 1/4" Male NPT with lower mount, single scale.



2" Diameter Single Scale Gauge

Part #	PSI Range
PG-LMS30R	0-30 PSI with Red Line
PG-LMS100	0-100 PSI
PG-LMS200	0-200 PSI
PG-LMS400	0-400 PSI
PG-LMS4000	0-4000 PSI



2 1/2" Diameter Single Scale Gauge

Part #	PSI Range
PG-LMS3025R	0-30 PSI with Red Line
PG-LMS10025	0-100 PSI
PG-LMS20025	0-200 PSI
PG-LMS40025	0-400 PSI
PG-LMS60025	0-600 PSI
PG-LMS400025	0-4000 PSI

WARNING: Products in this catalog can expose you to chemicals including lead which is known to the State of California to cause cancer, birth defects or reproductive harm. For more information, go to <https://www.p65warnings.ca.gov>

Wika Commercial Gauges

Commercial Gauge Black ABS Case Copper Alloy Wetted Parts



Applications

- Hydraulic and pneumatic systems
- Pumps, compressors, water systems, regulators
- Suitable for fluid medium which does not clog connection port or corrode copper alloy

Standard Features

Design

EN837-1 and ASME B40.100

Sizes (All sizes not stocked)

1 1/2", 2", 2 1/2" & 4" (40, 50, 63, & 100 mm)

Accuracy class

+/- 3/2/3% of span (ASME B40.100 Grade B)

Ranges (All ranges not stocked)

Vacuum/Compound to 30 Hg / 0/ 200 psi
Pressure from 15 psi to 5,000 psi or other equivalent units of pressure or vacuum
Receiver scales 3...15 psi

Working pressure

Steady: 3/4 of full scale value
Fluctuating: 2/3 of full scale value
Short time: full scale value

Operating temperature

Ambient: -40°F to 140°F (-40°C to 60°C)
Media: 140°F (+60°C) maximum

Temperature error

Additional error when temperature changes from reference temperature of 68°F (20°C)
+0.4% for every 18°F (10°C) rising or falling.
Percentage of span.

Special Features

- Copper alloy wetted parts
- ABS plastic or painted steel case
- Lower mount (LM) process connection
- Center Back Mount (CBM) Process Connection

Pressure connection

Material: copper alloy
Lower mount (LM) & Center Back Mount (CBM)
1/8" or 1/4" NPT

Bourdon Tube

Material: copper alloy
30" Hg (Vac) to 600 psi C-type
800 psi to 5,000 psi helical type

Movement

Copper alloy

Dial

White plastic with stop pin
(1 1/2", 2", 2 1/2")
White aluminum with stop pin (4")
Black or black and red lettering

Pointer

Black ABS plastic (1 1/2, 2", 2 1/2")
Black aluminum (2", 2 1/2" and 4")

Case

Black ABS plastic

Window

Snap-in acrylic

Optional Extras

- Accuracy +/- 2/1/2% of span (ASME B40.100 Grade A)
- Slip-fit or friction ring (LM only)
- Case with blowout plug (LM only)
- U-clamp Panel mounting (CBM only)
- Front flange (CBM only)
- Slip-fit or friction ring (CBM only)
- Case with weep hole (CBM only)
- Glass window
- Black painted steel case
- Stainless steel case
- Brass polished case & friction ring (LM 2 1/2" only)
- Special case colors
- Special connections (limited to wrench flat area)
- Cleaned for oxygen service
- Nickel plated connection
- Medical specification
- Rubber cover (2", 2 1/2")
- Custom dial layout
- Other pressure scales available: bar, kPa, MPa, kg/cm2, and dual scales
- DIN standards
- Red set pointer on aluminum dial or on snap-on window
- External adjust red drag pointer (black steel – 2 1/2" case only)

Ordering Information

PG-C

Dial Size and Connection

Low Mount

112LM18	1 1/2" Dial, 1/8" NPT
2LM18	2" Dial, 1/8" NPT
2LM14	2" Dial, 1/4" NPT
212M14	2 1/2" Dial, 1/4" NPT
4LM14	4" Dial, 1/4" NPT

Center Back Mount

112CBM18	1 1/2" Dial, 1/8" NPT
2CBM18	2" Dial, 1/8" NPT
2CBM14	2" Dial, 1/4" NPT
212CBM14	2 1/2" Dial, 1/4" NPT
4CBM14	4" Dial, 1/4" NPT

Available Pressure Settings

15 PSI	600 PSI	30" Hg
30 PSI	800 PSI	30"-0-15 PSI
60 PSI	1000 PSI	30"-0-30 PSI
100 PSI	1500 PSI	30"-0-60 PSI
160 PSI	2000 PSI	30"-0-100 PSI
200 PSI	3000 PSI	30"-0-160 PSI
300 PSI	5000 PSI	30"-0-200 PSI
400 PSI	10000 PSI	30"-0-300 PSI
		(Not available 2" Dial for Low Mount)
		30"-0-400 PSI
		(Not available 2" Dial for Low Mount)

Certification

OX – Oxygen Cleaning
NIST – certificate of calibration (optional)
OX-NIST – Both

WARNING: Products in this catalog can expose you to chemicals including lead which is known to the State of California to cause cancer, birth defects or reproductive harm. For more information, go to <https://www.p65warnings.ca.gov>

Wika Industrial Gauges

Industrial Gauge – All Stainless Steel Construction Welded Case to Socket Connection – Field Liquid-Fillable



Applications

- With liquid filled case for applications with high dynamic pressure pulsations or vibration
- Suitable for corrosive environments and gaseous or liquid media that will not obstruct the pressure system
- Process industry: chemical/petrochemical, power stations, mining, on and offshore, environmental technology, mechanical engineering and plant construction

Special Features

- Excellent load-cycle stability and shock resistance
- All stainless steel construction
- Positive pressure ranges to 15,000 psi

Standard Features

Design

ASME B40.100 & EN 837-1

Sizes

2 1/2" & 4" (50, 63, & 100 mm)

Accuracy class

2 1/2": +/- 2/1.2% of span (ASME B40.100 Grade A)
4": +/- 1.0% of span (ASME B40.100 Grade 1A)

Ranges

Vacuum/Compound to 200 psi
Pressure from 15 psi to 15,000 psi or other equivalent units of pressure or vacuum

Working pressure

2 1/2" Steady: 3/4 scale value
Fluctuating: 2/3 full scale value
Short time: full scale value
4" Steady: full scale value
Fluctuating: 0.9 x full scale value
Short time: 1.3 x full scale value

Operating temperature

Ambient:
-40°F to +140°F (-40°C to +60°C) - dry
-4°F to +140°F (-20°C to +60°C) - glycerin filled
-40°F to +140°F (-40°C to +60°C) - silicone filled
Medium: +212°F (+100°C) maximum

Temperature error

Additional error when temperature changes from reference temperature of 68°F (20°C) +/- 0.4% for every 18°F (10°C) rising or falling. Percentage of span.

Weather protection

Weather tight (NEMA 4X / IP65)

Pressure connection

Material: 316L stainless steel
Lower mount (LM) & Center Back Mount (CBM)
Lower back mount (LBM) for 4" size
1/4" NPT or 1/2" NPT limited to wrench flat area

Bourdon Tube

Material: 316L stainless steel
2 1/2": ≤ 1,000 PSI: C-type,
≥ 1,500 PSI: helical type
4": ≤ 1,500 PSI: C-type,
≥ 2,000 PSI: helical type

Movement

Stainless steel

Pointer

Black aluminum

Case

304 stainless steel with vent plug and SS crimp ring
Welded case / socket connection

Window

Polycarbonate

Liquid filling

Glycerine 99.7% – Type 233.53

Optional Extras

- SS restrictor
- SS front flange
- SS rear flange
- Zinc-plated steel or SS u-clamp bracket (field installable)
- Cleaned for oxygen service
- Red drag pointer or mark pointer
- External zero adjustment
- Other pressure connections
- Silicone or Fluorolube case filling
- Other pressure scales available: bar, kPa, MPa, kg/cm², and dual scales

Ordering Information – Dry Gauge

PG-SSD					
Dial Size and Connection	Available Pressure Settings			Certification	
Low Mount		15 PSI	600 PSI	30" Hg	OX – Oxygen Cleaning
212LM14	2 1/2" Dial, 1/4" NPT	30 PSI	800 PSI	30"-0-15 PSI	
4LM14	4" Dial, 1/4" NPT	60 PSI	1000 PSI	30"-0-30 PSI	NIST – certificate of calibration (optional)
4LM12	4" Dial, 1/2" NPT	100 PSI	1500 PSI	30"-0-60 PSI	
Back Mount		160 PSI	2000 PSI	30"-0-100 PSI	
212CBM14	2 1/2" Dial, 1/4" NPT Center Back Mount	200 PSI	3000 PSI	30"-0-160 PSI	OX-NIST – Both
4LBM12	4" Dial, 1/2" NPT Lower Back Mount	300 PSI	5000 PSI	30"-0-200 PSI	
		400 PSI	10000 PSI	30"-0-300 PSI (4" Dial Only) 30"-0-400 PSI (4" Dial Only)	

Ordering Information – Liquid Filled Gauge

PG-SSF					
Dial Size and Connection	Available Pressure Settings			Certification	
Low Mount		15 PSI	600 PSI	30" Hg	OX – Oxygen Cleaning
212LM14	2" Dial, 1/4" NPT	30 PSI	800 PSI	30"-0-15 PSI	
4LM14	4" Dial, 1/4" NPT	60 PSI	1000 PSI	30"-0-30 PSI	NIST – certificate of calibration (optional)
4LM12	4" Dial, 1/2" NPT	100 PSI	1500 PSI	30"-0-60 PSI	
Back Mount		160 PSI	2000 PSI	30"-0-100 PSI	
4LBM12	4" Dial, 1/2" NPT Lower Back Mount	200 PSI	3000 PSI	30"-0-160 PSI	OX-NIST – Both
		300 PSI	5000 PSI	30"-0-200 PSI	
		400 PSI	10000 PSI	30"-0-300 PSI (4" Dial Only) 30"-0-400 PSI (4" Dial Only)	

WARNING: Products in this catalog can expose you to chemicals including lead which is known to the State of California to cause cancer, birth defects or reproductive harm. For more information, go to <https://www.p65warnings.ca.gov>

Bourdon Tube Pressure Gauge Compressed Gas Regulator Gauge

Wika Chrome Plated

Applications

- Compressed gas regulators
- Beverage dispensing machines
- Suitable for all media that will not obstruct the pressure system or attack copper alloy parts

Special Features

- UL-listed (UL-252a or UL-404)
- Cleaned for use in oxygen service

Standard Features

Design

ASME B40.100

Sizes

1½", 2" & 2½" (41, 53 & 68 mm)

Accuracy class

± 3/2/3% of span (ASME B40.100 Grade B)

Ranges

Vacuum/Compound to 200 psi
Pressure from 15 psi to 6,000 psi or other equivalent units of pressure or vacuum

Working pressure

Steady: 3/4 of full scale value
Fluctuating: 2/3 of full scale value
Short time: full scale value

Operating temperature

Ambient:
-40°F to +140°F (-40°C to 60°C)
Media: 140°F (+60°C) maximum

Temperature error

Additional error when temperature changes from reference temperature of 68°F (20°C)
+/- 0.4% for every 18°F (10°C) rising or falling.
Percentage of span.

Pressure connection

Material: Copper-Alloy
Lower Mount (LM): 1½", 2" and 2½"
Center Back Mount (CBM); 1½" and 2"
1/8" NPT, ¼" NPT, limited to wrench flat area

Bourdon Tube

Material: copper alloy
15 psi to 600 psi: C-type (low copper content)
800 psi to 6,000 psi: helical

Dial

White aluminum with stop pin and black lettering "USE NO OIL" in red

Movement

Copper alloy

Pointer

Black aluminum, non-adjustable

Case

Chrome Plated Steel

Window

Twist-lock clear polycarbonate



Optional Extras

- Brass restrictor (Std. for ranges 1,500 psi and higher)
- Special case colors
- Nickel-plated socket
- Black ABS case
- Stainless steel case (2" size only)
- Special threaded connection
- Custom dial layout
- Other pressure scales available: bar, kPa, MPa, kg/cm² and dual scales

Ordering Information

PG-CH _____ - _____ - OX - _____

Dial Size and Connection

Low Mount

112LM18	1 1/2" Dial, 1/8" NPT
2LM14	2" Dial, 1/4" NPT
212LM14	2 1/2" Dial, 1/4" NPT

Available Pressure Settings

30" Hg	60 PSI
30"-0-15 PSI	100 PSI
30"-0-30 PSI	200 PSI
30"-0-60 PSI	400 PSI
30"-0-100 PSI	600 PSI
30"-0-160 PSI	1000 PSI
30"-0-200 PSI	1500 PSI
15 PSI	2000 PSI
30 PSI	3000 PSI
30 PSI Red Band	4000 PSI

Certification

NIST - certificate of calibration (optional)

WARNING: Products in this catalog can expose you to chemicals including lead which is known to the State of California to cause cancer, birth defects or reproductive harm. For more information, go to <https://www.p65warnings.ca.gov>

Bourdon Tube Pressure Gauges

Wika Stainless Steel

Applications

- Suitable for corrosive environments and gaseous or liquid media that will not obstruct the pressure system
- Ideal when a smaller size instrument is needed
- CDA (Clean Dry Air) applications

Special Features

- All stainless steel construction
- 316L wetted parts
- Cost effective and reliable
- Positive pressure ranges to 15,000 PSI



Description

Design

ASME B40.100 & EN 837-1

Sizes

1.5", 2" & 2½" (40, 50 and 63 mm)

Accuracy class

± 2.5% of span

Ranges

Vacuum / Compound to 200 psi
Pressure from 15 psi to 10,000 psi
or equivalent units of pressure and vacuum

Working pressure

Steady: 3/4 of full scale value
Fluctuating: 2/3 of full scale value
Short time: full scale value

Operating temperature

Ambient:
-40°F to +140°F (-40°C to +60°C)
Medium: +212°F (+100°C) maximum

Temperature error

Additional error when temperature changes from reference temperature of 68°F (20°C) +/- 0.4% for every 18°F (10°C) rising or falling. Percentage of span.

Pressure connection

Material: 316L stainless steel
Lower mount (LM) or center back mount (CBM)
1/8" or 1/4" NPT (male)

Bourdon Tube

Material: 316L stainless steel
≤ 1,000 PSI: C-type,
≥ 1,500 PSI: helical type

Movement

Stainless steel

Dial

White aluminum with black lettering, with stop pin

Pointer

Black aluminum

Case

Stainless steel

Window

Snap-in polycarbonate

Optional Extras

- Friction fit cover ring with instrument glass window
- Special threaded connection
- U-clamp panel mount
- Front flange (for 2½" size only)

Ordering Information

PG-SS

Dial Size and Connection

Low Mount

112LM18 1 1/2" Dial, 1/8" NPT
2LM18 2" Dial, 1/8" NPT
2LM14 2" Dial, 1/4" NPT

Center Back Mount

112CBM18 1 1/2" Dial, 1/8" NPT
2CBM18 2" Dial, 1/8" NPT
2CBM14 2" Dial, 1/4" NPT

Available Pressure Settings

30" Hg 160 PSI
30"-0-15 PSI 200 PSI
30"-0-30 PSI 300 PSI
30"-0-60 PSI 400 PSI
30"-0-100 PSI 600 PSI
30"-0-160 PSI 800 PSI
30"-0-200 PSI 1000 PSI
15 PSI 1500 PSI
30 PSI 2000 PSI
60 PSI 3000 PSI
100 PSI 5000 PSI

Certification

OX - Oxygen Cleaning

NIST - certificate of calibration (optional)

OX-NIST - Both

WARNING: Products in this catalog can expose you to chemicals including lead which is known to the State of California to cause cancer, birth defects or reproductive harm. For more information, go to <https://www.p65warnings.ca.gov>